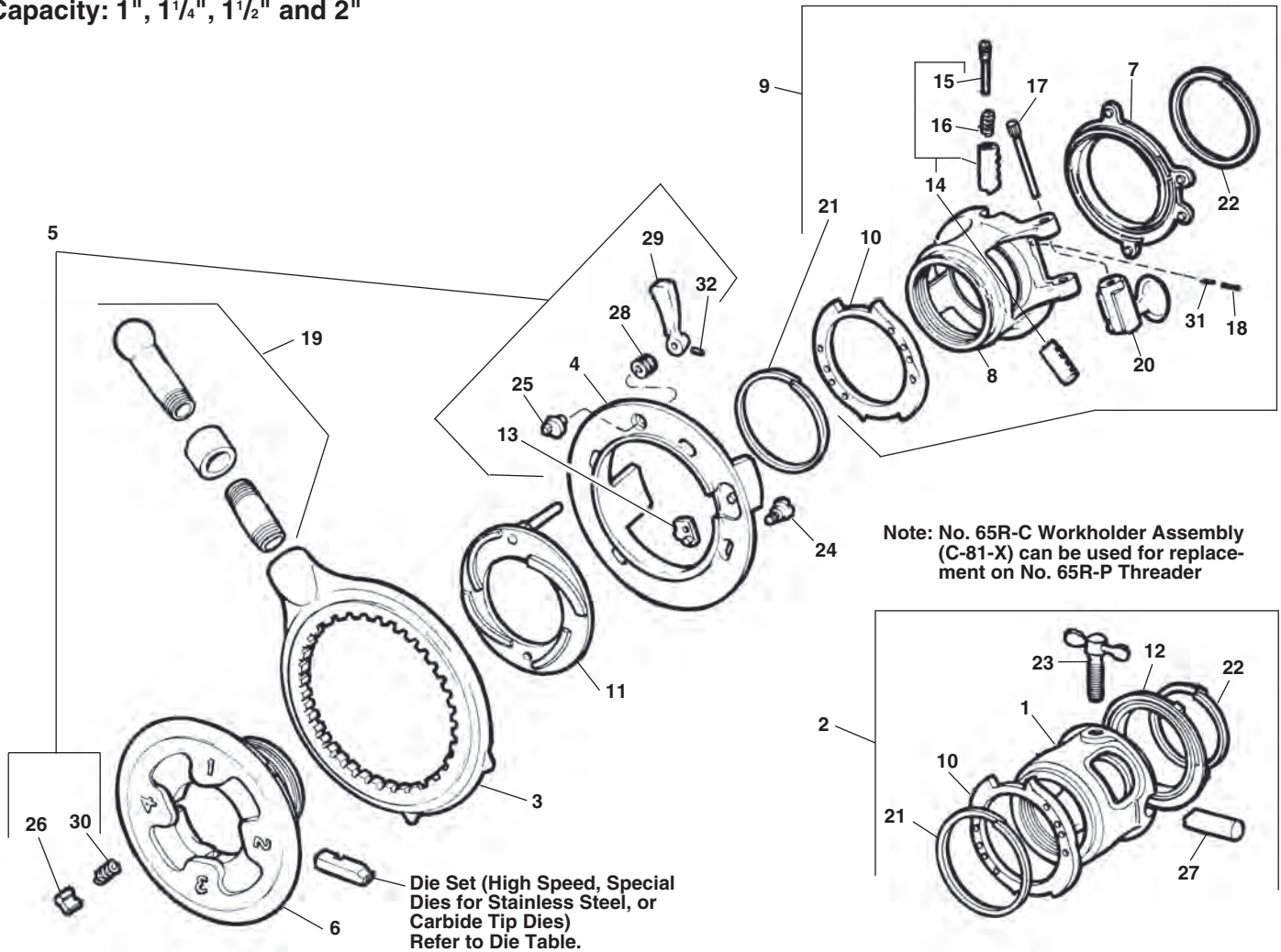


Nos. 65R-C & 65R-TC
Capacity: 1", 1 1/4", 1 1/2" and 2"



**NOTE: Order parts by Catalog Number only.
DO NOT order by Reference Number.**

Ref. No.	Catalog No.	Description	Ref. No.	Catalog No.	Description
1	39335	65R-C Workholder (Cam Type) N.P.T.	15	39485	Set Screw
	68100	65R-C Workholder (Cam Type) B.S.P.T.	16	39490	Compression Spring
2	39340	65R-C Workholder Assy. (Cam Type) N.P.T.	17	39500	Locking Cam Pin
	68110	65R-C Workholder Assy. (Cam Type) B.S.P.T.	18	39505	Stop Pin
3	39205	Ratchet Ring	19	39545	Pipe Handle
4	39215	Drive Plate	20	39555	Locking Cam
5	39220	Jam Proof Drive Plate Assembly	21	39975	Change Plate Spring Ring
6	39245	Head N.P.T.	22	39980	Gauge Plate Spring Ring
	68060	Head B.S.P.T.	23	39985	Clamp Screw
7	39290	Gauge Ring	24	39990	Drive Plate Screw (4)
8	39295	Tru-Center Workholder N.P.T.	25	39995	Release Cam
	68070	Tru-Center Workholder B.S.P.T.	26	39875	Pawl (2)
9	39300	65R Tru-Center Workholder Assy. N.P.T.	27	39880	Workholder Jaw (2)
	68075	65R Tru-Center Workholder Assy. B.S.P.T.	28	39885	Release Cam Flat Spring (2)
10	39400	Change Plate N.P.T.	29	39895	Release Cam Lever
	68125	Change Plate B.S.P.T.	30	39900	Pawl Spring (2)
11	39450	Cam Plate	31	39915	Coil Spring
12	39370	Gauge Ring	32	39965	Cam Lever Pin
13	39405	Throwout Plate			
14	39425	Workholder Jaw (3 per set) (2 solid & 1 spring loaded)			